



**ZH LED Control System**



# ZH-Z8L

## 4K Two-in-one Video Processor

### Product Specification





# Product Specification

## ZH-Z8L

### (4K Video Processor)

#### I. Product Introduction:

The ZH-Z8L 4K 2-in-1 video processor is a product meticulously crafted by ZH to facilitate the convenient installation of large LED displays. It supports inputs from high-definition sources (such as HDMI and DP) with up to eight windows capable of arbitrary roaming and positioning. The unit accepts high-definition digital signals up to 4096×2160@60Hz and provides 8PCS Gigabit Ethernet outputs; a single unit can drive a large display with a maximum width of 16,384 pixels or a maximum height of 4,096 pixels. Featuring a brand-new communication architecture, it delivers high refresh rates, high brightness, and an advanced grayscale scanning engine with nanosecond-level synchronization. It maintains smooth communication even under adverse conditions, allowing users to experience a more colorful and brilliant LED world.

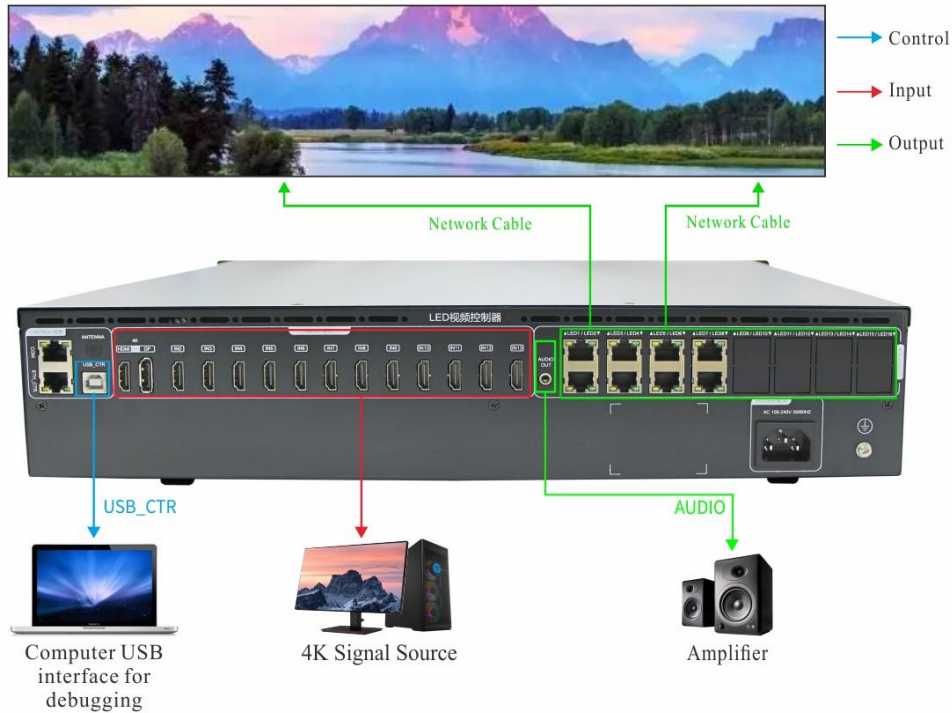
#### II. Functional Features:

1. Extensive input interfaces: includes 12pcs HDMI 1.4 ports and 1pcs HDMI 2.0/DP 1.2 port;
2. Input resolution: supports up to 4096×2160@60Hz and allows for custom resolution settings;
3. Maximum load capacity: 5.2 million pixels, max width of 16,384 pixels, max height of 4,096 pixels;
4. Supports seamless switching between video sources and allows for the stitching and scaling of input images based on display resolution.
5. Supports arbitrary roaming across 8 display windows;
6. Supports audio input and output;
7. Supports brightness and color temperature adjustment;
8. Supports high grayscale at low brightness;
9. Supports integration with central control systems via standard Ethernet ports;
10. 8pcs Gigabit Ethernet outputs, supporting arbitrary splicing (vertical/horizontal);
11. Supports hot backup: hot backup between two ports in the same group and multi-card hot backup;
12. Compatible with the full range of ZH receiving cards, multifunction cards, and fiber optic transceivers;

#### III. Topology Diagram:

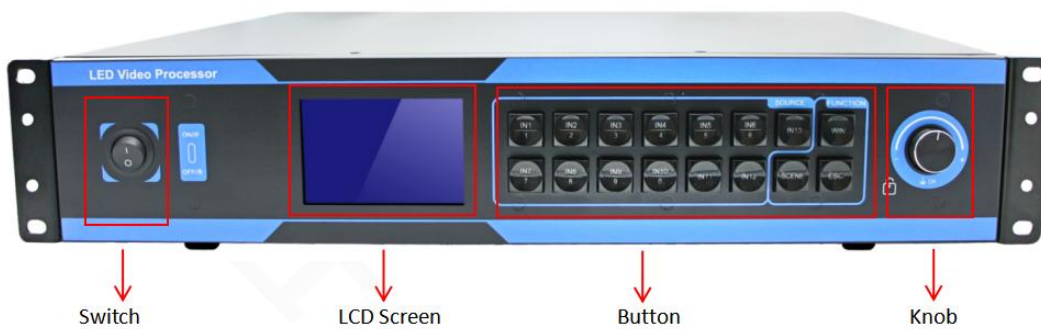


# ZH LED Display Control System



## IV. Hardware Introduction:

### The Front Panel



<b>Switch</b>	The power switch
<b>LCD</b>	Show the device status and operation interface
<b>Knob</b>	Pressing: To enter or confirm; Rotation: To move the cursor or modify parameters

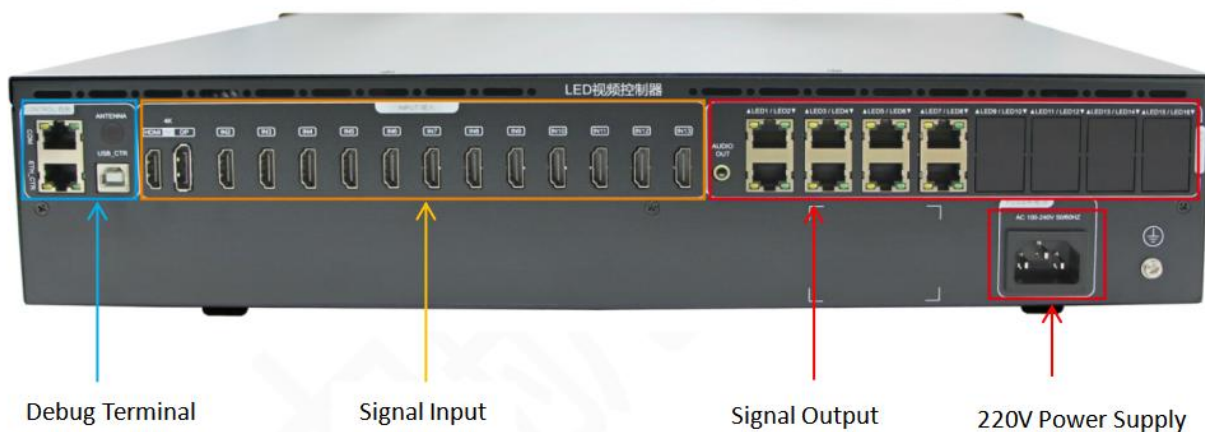
Button Part Manual			
IN1/1	4K Signal HDMI or DP 1 / Digital 1	IN7/7	IN 7/Digital 7
IN2/2	IN 2/Digital 2	IN8/8	IN 8/Digital 8
IN3/3	IN 3/Digital 3	IN9/9	IN 9/Digital 9
IN4/4	IN 4/Digital 4	IN10/0	IN 10/Digital 0



# ZH LED Display Control System

IN4/5	IN 5/Digital 5	IN11	IN 11
IN6/6	IN 6/Digital 6	IN12	IN 12
IN13	IN 13	SCENE	Scene List
WIN	Windows key	ESC	Back (long press to lock/unlock)

## The Back Panel



CONFIG		INPUT		OUTPUT	
COM	Central control serial port integration	HDMI IN 1 DP	1-channel 4K signal (HDMI or DP)	LED*8	Output Network Ports 1-8
ETH_CTR	Central control network interface	IN2	HDMI Port 2	AUDIO_OUT	Audio Output
ANTENNA	Reserved interface	IN3	HDMI Port 3		
USB_CTR	Equipment debugging interface	IN4	HDMI Port 4		
		IN5	HDMI Port 5		
		IN6	HDMI Port 6		
		IN7	HDMI Port 7		
		IN8	HDMI Port 8		
		IN9	HDMI Port 9		
		IN10	HDMI Port 10		
		IN11	HDMI Port 11		
		IN12	HDMI Port 12		
		IN13	HDMI Port 13		



# ZH LED Display Control System

## Input:

Port	Quantity	Resolution Specification
HDMI 2.0	1	Compliant with EIA/CEA-861 and HDMI 2.0 standards; supports HDCP 2.2.
DP	1	Compliant with the DP 1.2 standard; supports HDCP 1.3.
HDMI 1.4	12	Compliant with the EIA/CEA-861 and HDMI 1.4 standards; supports HDMI audio input and output.

## Output:

Port	Quantity	Resolution
LED	8	Standard Gigabit Ethernet port, support ZH V5 all types of receiving cards, support arbitrary splicing up and down or left and right
AUDIO_OUT	1	3.5mm standard audio output port

## Chassis parameters:

Power Input	AC 100~240V, 50/60Hz, not more than 1A
Power	≤100W
Temperature	-20~45°C
Size	482.5*351.45*88.9(mm,L*W*H)
Weight	≈5KG

## VI. Hardware Diagram:

Unit: mm

